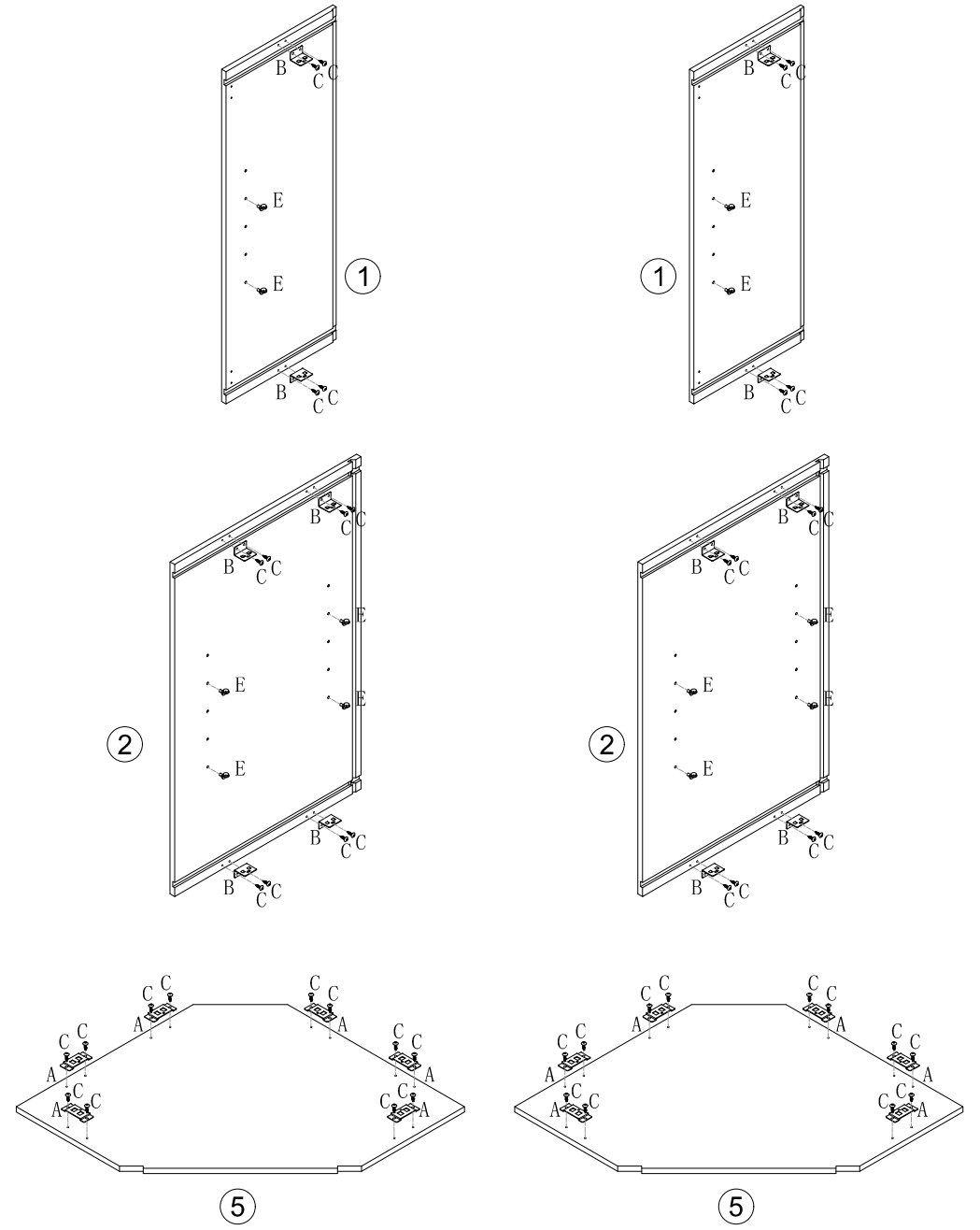
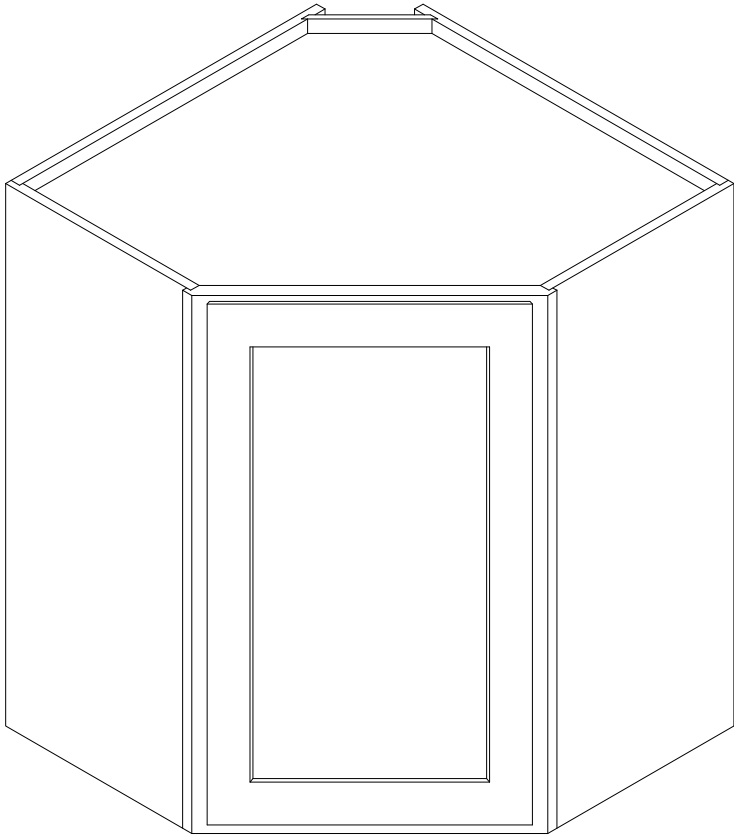


ASSEMBLY INSTRUCTIONS

WD2430

Step 1

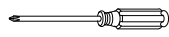


Parts list

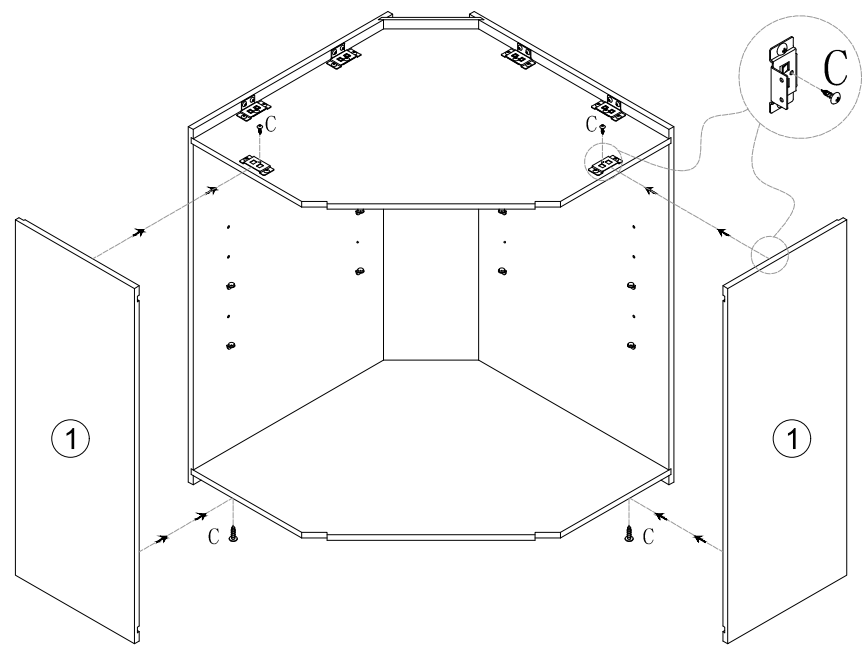
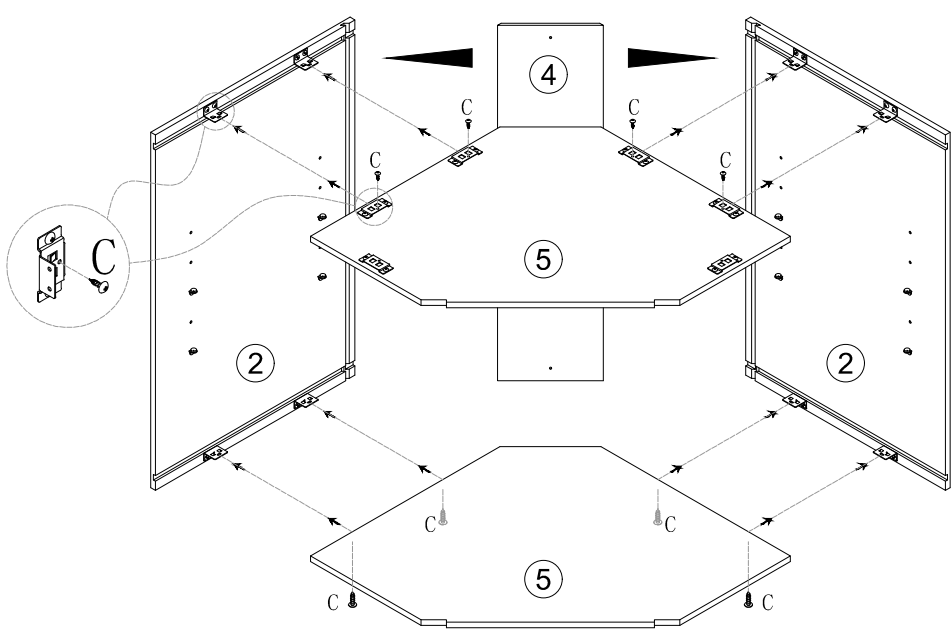
NO.	Parts	QTY
A		12
B		12
C		60
D		16

NO.	Parts	QTY
E		12
F		2
G		4

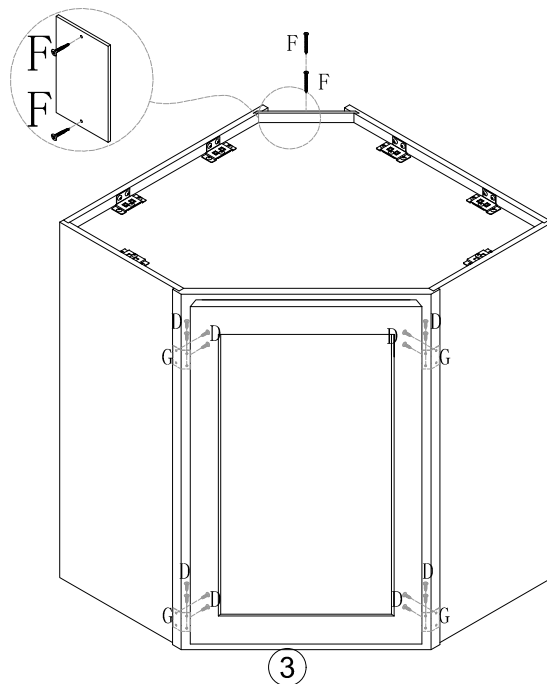
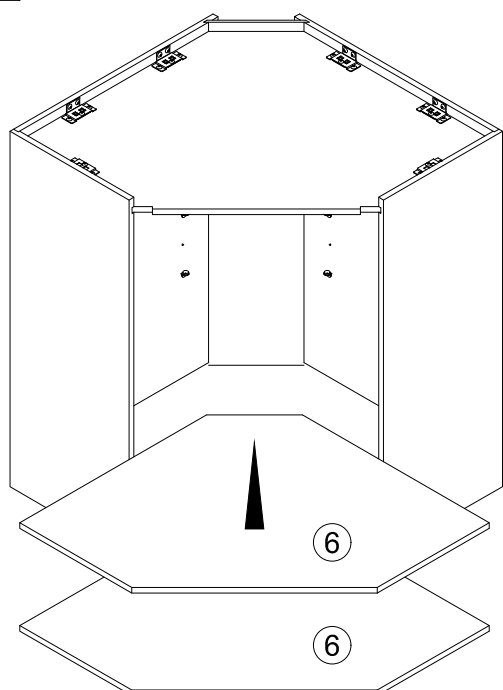
Tools
(required but not provided)



Step 2



Step 3



Finished

